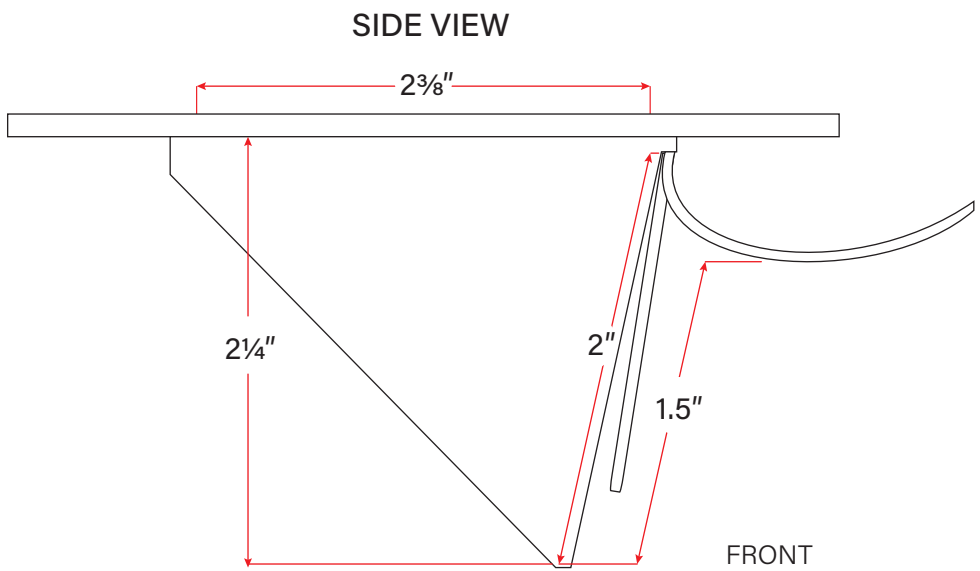
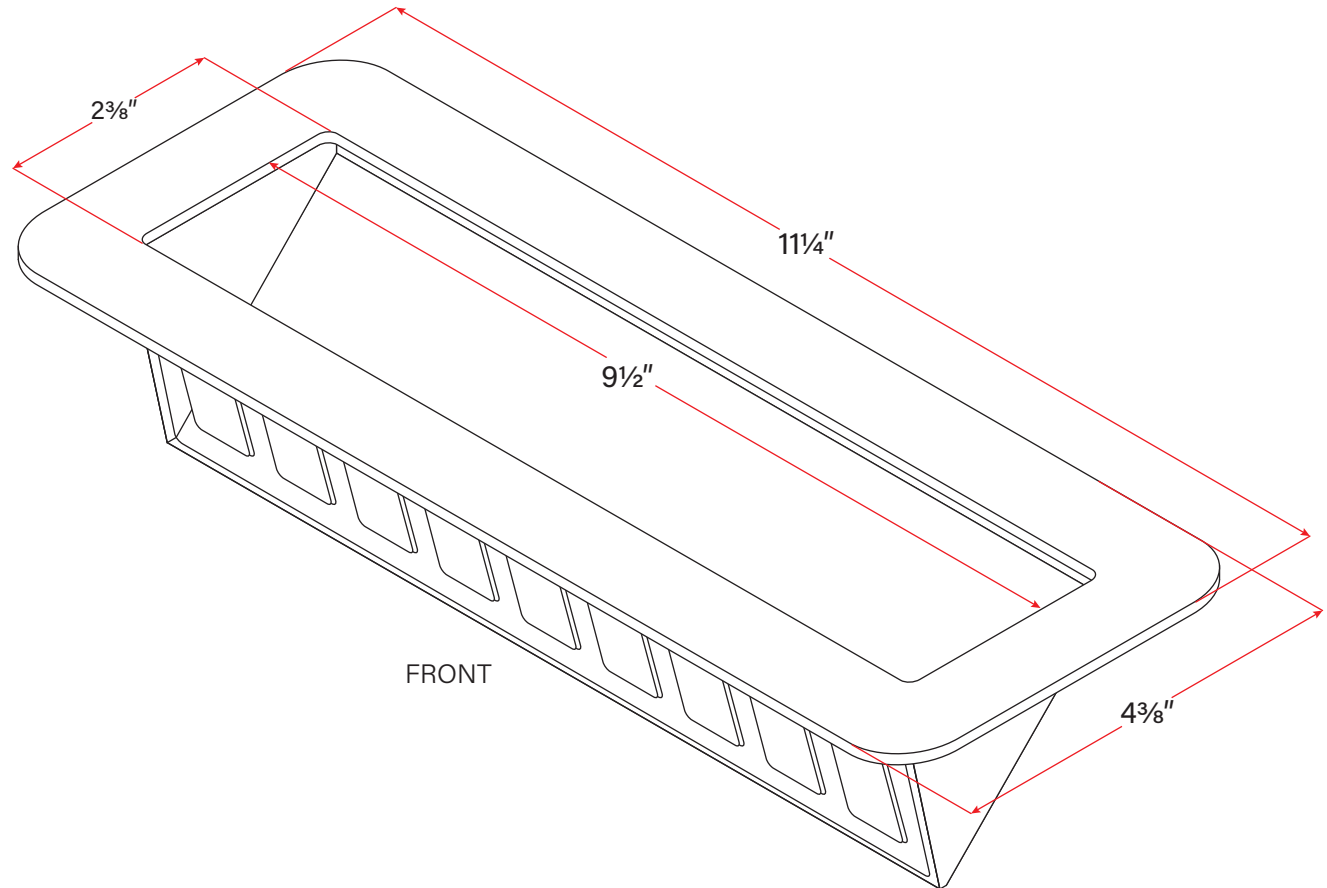


E-RECYCLING INSERT DIMENSION SPECIFICATIONS



Dimensions rounded to the nearest eighth of an inch